

DEMU Fixing Anchor T-FIXX®/Bolt Anchor 1988, 1985 PRODUCT INFORMATION

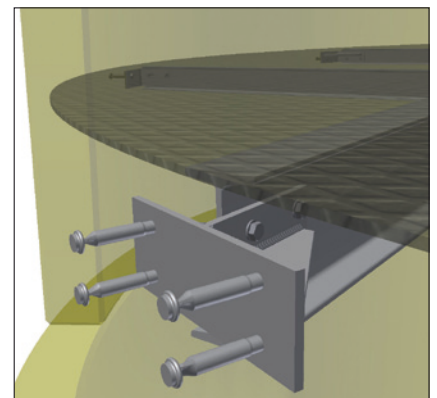


Applications – DEMU Fixing anchor T-FIXX®/Bolt anchor 1988, 1985

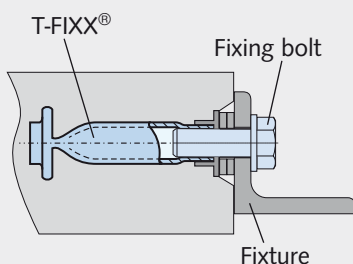
- Fixing and connection of precast elements
- Fixing of balcony and bridge railings
- Fixing of installation brackets/ mounting clamps
- Single anchoring of seats/ stadium seats
- Fixing of steel ladders/-stairs/ -profiles
- Temporary fixing of loads, e.g. elevator during maintenance works



Fixing and adjusting precast elements



Fixing of steel profiles and platforms



Fixing of balcony railing



Fixing of bridge railings

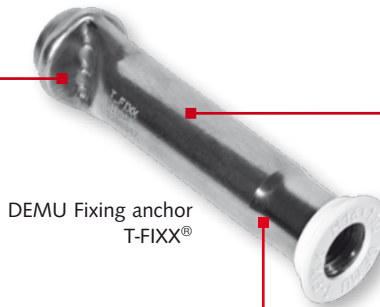
DEMU FIXING ANCHOR T-FIXX®/BOLT ANCHOR 1988, 1985

Features

DEMU Fixing anchors from HALFEN are intended for permanent anchorage in concrete. Different dimensions (max. thread M42) and variants for corrosion protection (zinc galvanised, hot-dipped galvanised and stainless steel) offer a wide product range.

Strong features

- Fixing anchor with internal metric ISO thread
- Diameter from M10-M20 (T-FIXX®) and M12-M42 (Bolt anchor)
- For permanent anchoring under predominantly static or quasi static actions
- Use in reinforced and unreinforced normal weight concrete from strength class C20/25 to C50/60, cracked or non cracked
- For transmission of tensile loads, shear loads and a combination of both



DEMU Fixing anchor T-FIXX®

Product Safety

- Since July 2013 with European Technical Approval (ETA)
- Optimised calculation based on current state of the art technology
- Free design software for download
- Dataclip for identification

Material and corrosion protection

- Corrosion protection in GV (zinc galvanised) and in stainless steel A4 (A4-50, A4-80)




	T-FIXX®	Bolt anchor 1988, 1985
Loads	Medium Load capacity	High Load capacity
Application	<ul style="list-style-type: none"> • medium loads • near edges applications (up to high strength concrete) • thin elements • load capacity of concrete decisive • normal strength concrete 	<ul style="list-style-type: none"> • high loads • use in full concrete (without influence of edges) • high steel strength required • up to high strength concrete
Example for typical use	<ul style="list-style-type: none"> • fixing of railings for balconies, bridges • fixing of utility equipment or power lines, installation brackets • fixing of stadium seats • fixing of steel stairs or ladders • fixing of connection between precast elements 	<ul style="list-style-type: none"> • fixing of railings for balconies, bridges • fixing of utility equipment, power lines, installation brackets • fixing of stadium seats • fixing of steel stairs or ladders
Design concept/ Calculation	According to CEN/TS 1992-4-1/2	According to CEN/TS 1992-4-1/2
Design software		
ETA approval		

DEMU FIXING ANCHOR T-FIXX®/BOLT ANCHOR 1988, 1985

Product range and accessories

T-FIXX®			Accessories
 <p>T-FIXX® GV</p> <p>T-FIXX® A4</p>	d_{nom} x L [mm]	Material quality	2280 Nailing plate d = 10 mm 
	M10 x 50	GV, A4	
	M10 x 65	A4	2275 Nailing plate d = 2 mm 
	M10 x 75	GV	
	M12 x 50	GV, A4	
	M12 x 70	GV, A4	
	M12 x 95	GV	
	M12 x 115	A4	
	M16 x 60	GV, A4	
	M16 x 80	A4	
	M16 x 100	GV	
	M16 x 110	A4	
	M16 x 125	GV	
	M20 x 70	GV, A4	
	M20 x 100	GV, A4	
	M20 x 125	A4	

Bolt anchor 1988			Accessories
 <p>1988 GV</p> <p>1988 FV</p> <p>1988 A4</p>	d_{nom} x L [mm]	Material quality	2250 Fixing pin 
	M12 x 55	GV, FV	
	M12 x 100	GV, FV, A4-50, A4-80	2600 Thread adapter 
	M12 x 150	GV, FV, A4-50, A4-80	
	M16 x 75	GV, FV	2244 Sealing cap 
	M16 x 140	GV, FV, A4-50, A4-80	
	M16 x 220	GV, FV, A4-50, A4-80	
	M20 x 90	GV, FV	
	M20 x 150	GV, FV, A4-50, A4-80	
	M20 x 180	GV, FV, A4-50, A4-80	
	M20 x 270	GV, FV, A4-50, A4-80	
	M24 x 110	GV, FV	
	M24 x 200	GV, FV, A4-80	
	M24 x 320	GV, FV	
	M30 x 160	GV, FV	
	M30 x 240	GV, FV, A4-80	
	M30 x 380	GV, FV	
	M36 x 300	GV	
	M36 x 420	GV, FV	
	M42 x 300	GV	
M42 x 460	GV		

Bolt anchor 1985		
 <p>1985 GV</p>	d_{nom} x L [mm]	Material quality
	M12 x 150	GV
	M16 x 140	GV
	M20 x 180	GV
	M24 x 200	GV

GV = Zinc galvanised FV = Hot-dipped galvanised A4 = Stainless steel

DEMU FIXING ANCHOR T-FIXX®/BOLT ANCHOR 1988, 1985

Advantages

Product feature:	Your advantage:	
T-FIXX® is available in 22 standard versions; different dimensions and corrosion protection: 11 types GV, 11 types A4	<p>➔ In terms of load capacity T-FIXX® can replace all types of socket anchors of the same dimensions. Due to the high performance the T-FIXX® can also replace larger socket anchors (→ Precaster)</p> <p>➔ Clear product range replaces different forms and types of sockets (more than 100 variants) saving inventory cost and warehouse space (→ Precaster, planer)</p>	<p>✓</p> <p>✓</p>
T-FIXX® most suitable for fixings near edges, small anchor spacings and thin elements where load capacity of concrete is decisive	➔ T-FIXX® is the most costeffective solution if the concrete load capacity is decisive in comparison to fixing anchors with high steel load capacity (→ Precaster, planer)	✓
Bolt anchors for application with very high loads – perfect complement to T-FIXX®	➔ Application with very high loads also in high strength concrete, in case of exceeding the maximum load capacity of T-FIXX® (→ Precaster)	✓
	➔ Bolt anchor available in thread sizes M12, M16, M20, M24, M30, M36 and M42; T-FIXX® available in thread sizes M10, M12, M16 and M20 (→ Precaster, planer)	✓
T-FIXX® and Bolt anchor with European Technical Approval (ETA) and CE marking	➔ The calculation of the fixing anchors is based on current state of the art technology. Optimised design for every individual application with the HALFEN design software (free download) (→ Architects, planer)	✓
Wide range of accessories for T-FIXX® and bolt anchors	➔ Easy assembly and fixing to the formwork (→ Construction site, precastor)	✓

© 2014 HALFEN GmbH, Germany
applies also to copying in extracts

Please test our design software for DEMU Fixing anchors T-FIXX®/Bolt anchors 1988, 1985: www.halfen.com

Target groups of DEMU Fixing anchor T-FIXX®/Bolt anchor 1988, 1985

- Precast industry
- Engineering offices/architects
- All applications which require conventional inserts
- All applications which require an ETA
- All applications with technical demand, need for high load capacity and which might require an economically optimised design

Design concept

- CEN/TS 1992-4-1/2 (May 2009)
- European Technical Approval ETA-13/0222 (T-FIXX®) and ETA-13/0401 (Bolt anchors)

PDF 11/14

B - 142 - E - 10/14

HALFEN GmbH



Liebigstr. 14 · 40764 Langenfeld · GERMANY
Tel.: +49 - (0)2173 / 970-9020
Fax: +49 - (0)2173 / 970-225
E-Mail: ti.stahlbeton@halfen.de
www.halfen.com

The Quality Management System of Halfen GmbH is certified for the locations in Germany, France, the Netherlands, Austria, Poland, Switzerland and the Czech Republic according to **DIN EN ISO 9001:2008**, Certificate No. QS-281 HH.

